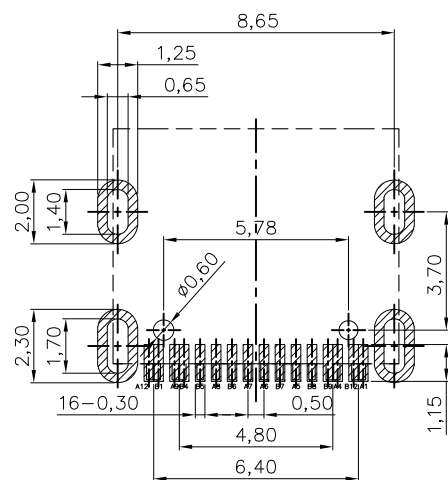
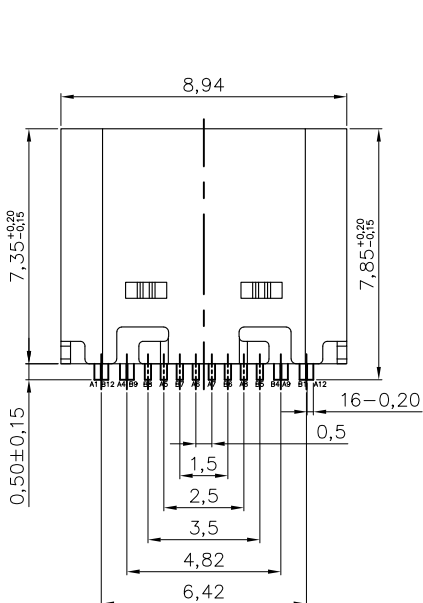
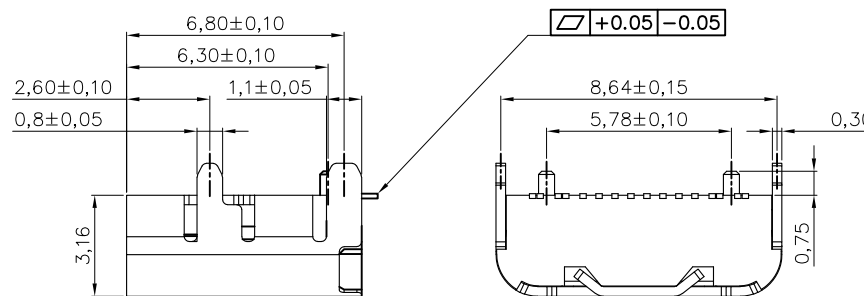
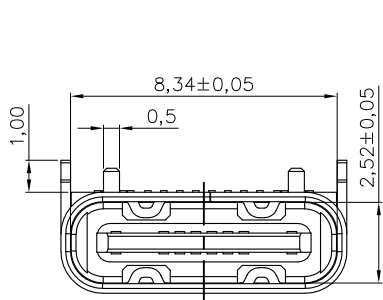
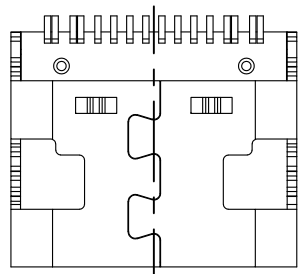


REV.	DESCRIPTION	DATE
A	RELEASE	Nov 17, 2021



RECOMMEND PCB LAYOUT TOP VIEW  
TOLERANCE: ±0.05

1. 材料

- A. 主体: LCP, 黑色, 白色, UL 94-V0;
- B. 端子: 铜合金, 电镀刷金;
- C. 外壳: 不锈钢, 镀全镍;

2. 主要特性

- A. 电压等级: 20V AC;
- B. 电流: 3A;
- C. 工作温度: -40°C~85°C;

3. 电气要求:

- A. 接触电阻: 40mΩ Max. (初始), 50mΩ Max. (最后);
- B. 电压: 100V AC 1分钟;
- C. 绝缘电阻: 100MΩ min. DC 500v;

4. 机械性能:

- A. 插入力: 5~20N. (从1~10,000次);
- B. 拔出力: 8~20N. (从1~1,000次);  
6~20N. (从1,001~10,000次);
- C. 耐久性寿命: 5,000次;

PART NUMBER INFORMATION :

230F816-XN105S-X

SERIES CODE  
SMT 90°  
FEMALE  
TYPE C  
NUMBER OF POSITIONS

R:RoHS  
H:HALOGEN FREE  
FOLLOW NUMBER  
BOARD TYPE  
NICKEL PLATED  
PLATING SEE TABLE

A1	GND
A4	VBUS
A5	CC1
A6	DP1
A7	DN1
A8	SBU1
A9	VBUS
A12	GND
B12	GND
B9	VBUS
B8	SBU2
B7	DN2
B6	DP2
B5	CC2
B4	VBUS
B1	GND
PIN	SIGNAL NAME

DESCRIPTION OF PLATING ON TERMINALS			
NO.	EXPLAIN	NO.	EXPLAIN
0	GOLD FLASH	3	GOLD 15u"
1	GOLD 5u"	4	GOLD 20u"
2	GOLD 10u"	H	G/F + TIN'

TOLERANCE .0=±0.25 .00=±0.20 .000=±0.10 ANG.=±2'	DRAWER CHECK APP'D PRODUCT SPEC.	<p><b>INMO</b> 东莞市英墨电子有限公司 INMO Electronics Co.,Ltd</p> <p>NAME TYPE C 16 Pin 母座 L7.35 卧贴 4插 D1.0 有柱</p> <p>DRAW NO. R230F816-XN105S-X</p>
UNITS : mm	SCALE 1:2 SIZE A6 SHEET 1 OF 1 REV. B	